



BOCR

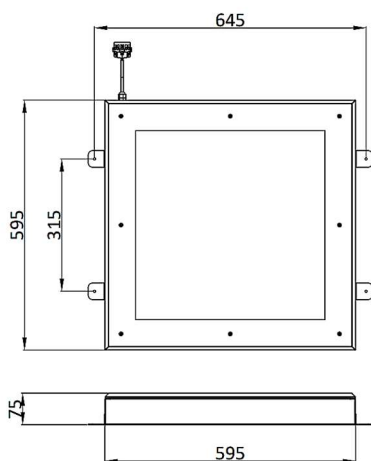
Clean Room Fittings

Housing Colors

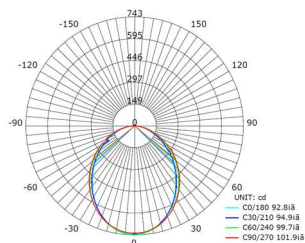


CCT – 3000K/4000K/5700K/6500K

Dimensional Drawing



Polar Curve



Beam Angle > 90°

Features

- Bottom frame with loss proof screws.
- Efficient Toughened glass with Translucent Diffuser for higher light output with XLPE gasket and pressure clamps.
- IP65 protection.
- 100 Lm/W Light efficacy.
- Epoxy powder coated CRCA housing and bottom frame.
- Full Glow upto edge with no hot spots and dark patches.
- No UV/IR radiation .
- Long-life 50000 hrs. at L70.
- Integral Driver.
- Best suited for healthcare, pharma industries or food processing industries applications.

Variants

| Order Code | Installation | Product Size (L X W X H) | Wattage | System Lumen | CCT & CRI | Color |
|---------------------|---------------|--------------------------|---------|--------------|---------------|-------|
| BOCR-SC22-3640-WHPZ | Surface Mount | 595 X 595 X 75 | 36W | 3600 Lm | 4000K & 80CRI | White |
| BOCR-SC22-6040-WHPZ | Surface Mount | 595 X 595 X 75 | 60W | 6000 Lm | 4000K & 80CRI | White |

For customization in CCT, CRI, Wattage, Color, Optics, Dimming, Tuning please consult before ordering.

Technical Specs

| SN | Technical Parameters | Values |
|----|---|----------------------------|
| 1 | Lumen Efficacy | 100 Lm/W +/- 5% |
| 2 | Illumination | 100 % Down |
| 3 | Operating Ambient Temperature | 0-45 °C |
| 4 | Operating Frequency | 50 Hz ± 3% |
| 5 | Rated Voltage | 240 V |
| 6 | Input Voltage Range | 150 V – 270 V |
| 7 | IP rating | IP65 |
| 8 | Construction Details | Metal Housing |
| 9 | Diffuser/Optical material | Imported HET Opal Diffuser |
| 10 | Light Source | LED |
| 11 | LED Manufacturer | Bridgelux |
| 12 | Colour Temperature (K) CCT | 3000K, 4000K, 5700K, 6500K |
| 13 | Standard Deviation Colour Matching (SDCM) | 3 SDCM |
| 14 | LED life with L70 criteria | 50,000 Hrs. |
| 15 | Color Rendering Index | CRI > 80 |
| 16 | Unified Glare Rating | UGR < 26 |
| 17 | Beam Angle | > 90° |
| 18 | Driver Efficiency | >85% |
| 19 | Surge Protection (kV) | 3 kV |
| 20 | PF @ Full Load & Rated Voltage | >0.95 |
| 21 | THD @ Full Load & Rated Voltage | < 5 % |
| 22 | LED CCT Binning | ANSI Bin C78.377A |
| 23 | LED Photo biological safety report | IEC 62471 |
| 24 | Electrical Insulation Class | Class I |

For Specifiers:

Clove Make – Bottom openable clean room light, surface mount light, 595X595 mm, 36W, 80CRI, 4000K CCT, HET Opal Diffuser, high lumen, white powder coated. Total Lumen 3600 lux, 3 SDCM LED binning, ON-OFF switchable Inbuilt driver with constant current type, THD<5%, Efficiency>85%, PF>0.95. Aluminum housing, rigid PCB with SMD connectors, and with all accessories for installation.